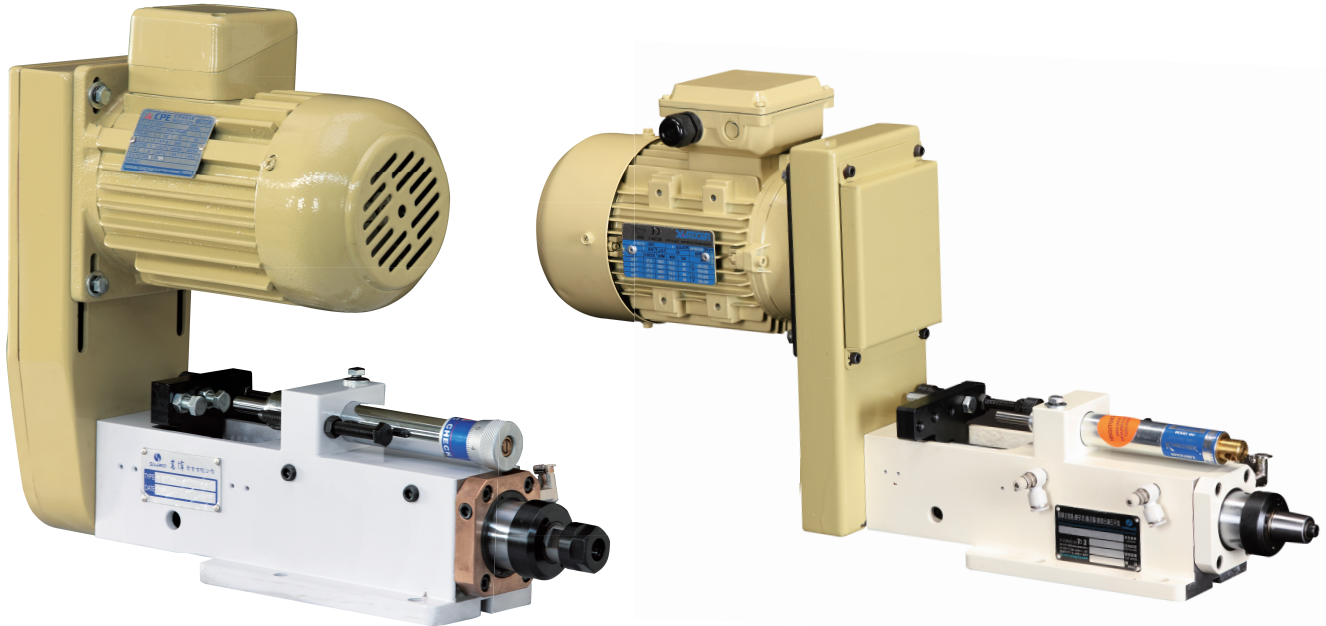


鑽孔機 >>>



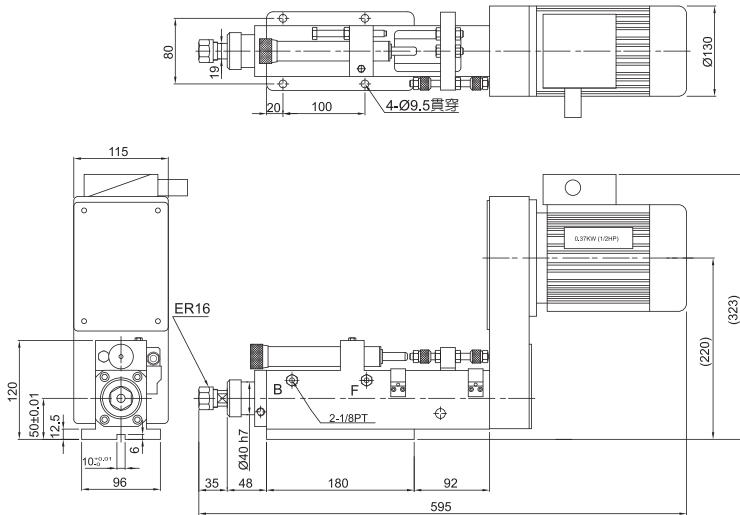
SWD3-60 / SWD4-80

鑽孔主軸頭 Drilling Spindle Units

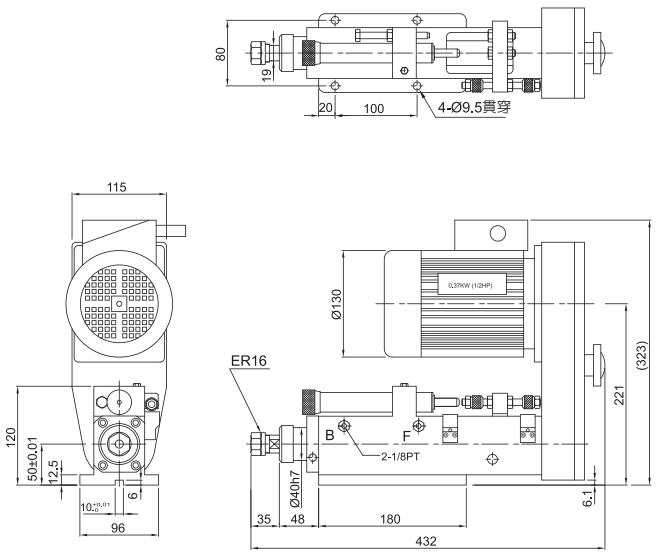
規格 Norms	Model	SWD3-60	SWD4-80
鑽孔能力	Max. Drilling Capacity	φ6(S45C)	
最大行程	Max. Stroke	60mm	80mm
容許轉速	Spindle Max. Speed	8000RPM	
使用壓力	Working Pressura	氣壓(A)3~7kg/cm ² 液壓(H)10-15kg/cm ²	
缸 徑	Cylinder Bore	φ50	
缸徑面積	Cylinder Diameter	進給(F)12.6cm ² 復歸(B)7.1cm ²	
配置馬達	Horsepower	0.37KW-220V(380V)-60HZ(50HZ)-3φ	
傳動規格	Transmission Wheel Type	PJ-200-5	
淨 重	Net Weight	21kg	24kg
耗材 Consumables			
主軸軸承	Spindle Bearing	6002ZZ*4	
皮帶輪軸承	Pulley Bearing	6002ZZ*3	
活塞油封	Piston Seal (Air pressure)	氣壓 AGP-40*50*6.5-2	
	Slide Ring	AGE-50x46x6-1(耐磨環)	
主軸油封	Piston Seal (Oil pressure)	液壓 APS-326-2	
	Spindle Oil Seal	TC-22x30x7-1	
前蓋油封	Front Cover Oil Seal (Air pressure)	ADH-40x48x6.5-1	AG-45-1 AP-40-1
	Front Cover Oil Seal (Oil pressure)	TC-40x50x8-1	AG-45-1 AP-40-1
後蓋油封	Reart Cover Oil Seal (Air pressure)	ADH-30x38x6.5-1	AG-40-1 AP-30-1
	Rear Cover Oil Seal (Oil pressure)	TC-40x50x8-1	AG-45-1 AP-40-1
	Oilless Slide Bearings	自潤軸承 DU-30x10-1	

鑽孔機 | Drilling Machines

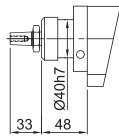
SWD3-60-ER16-C



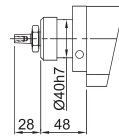
SWD3-60-ER16-A



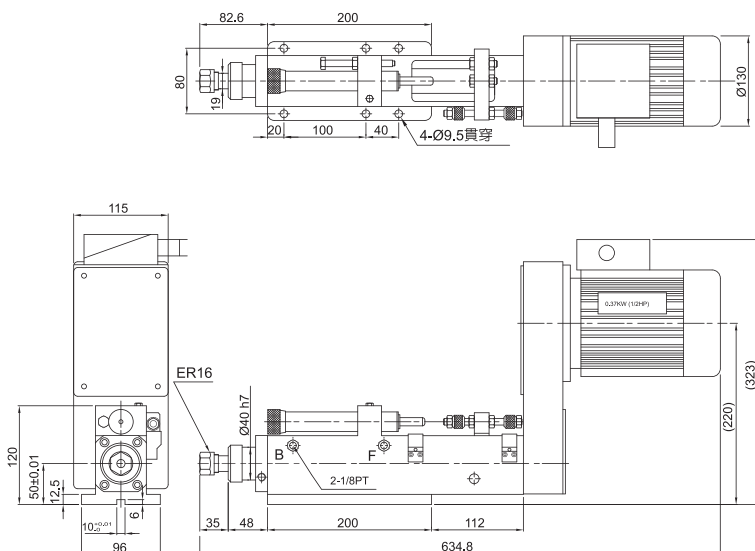
JT-2



JT-1



SWD4-80-ER16-C



SWD4-80-ER16-A

