

鑽孔機 >>>

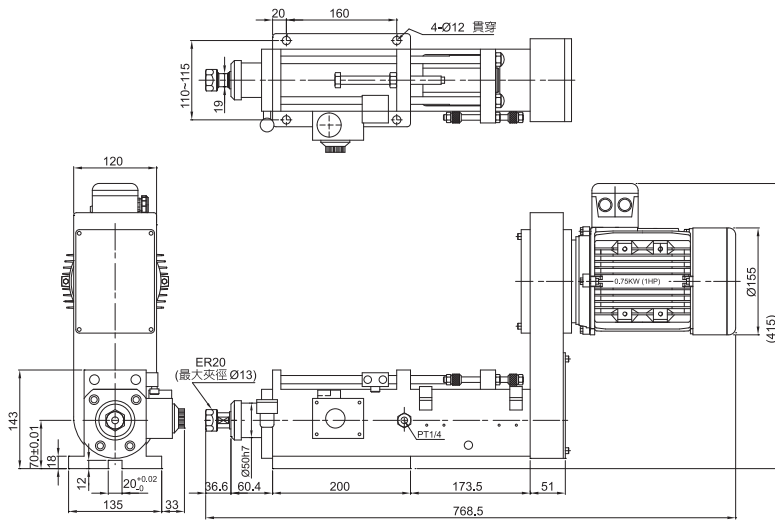


SWD5-85

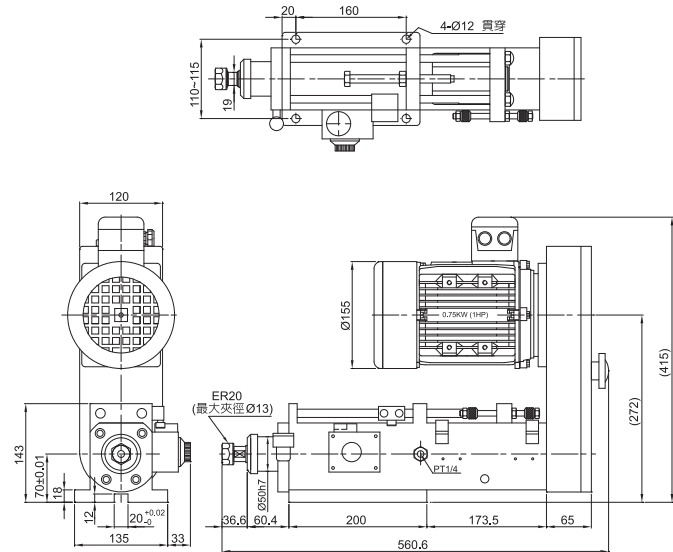
鑽孔主軸頭 Drilling Spindle Units

規格 Norms	Model	SWD5-85
鑽孔能力	Max. Drilling Capacity	φ10(S45C)
最大行程	Max. Stroke	85mm
容許轉速	Spindle Max. Speed	5000RPM
使用壓力	Working Pressura	氣壓(A)4~7kg/cm ² 液壓(H)20-25kg/cm ²
缸 徑	Cylinder Bore	φ63
缸徑面積	Cylinder Diameter	進給(F)21.6cm ² 復歸(B)11.5cm ²
容許馬力	Maximum use of motor	0.75KW(1HP)
傳動規格	Transmission Wheel Type	HTD-5M (2列轉速, Two speed)
淨 重	Net Weight	43kg
耗材 Consumables		
主軸軸承	Spindle Bearing	6004ZZ-4
皮帶輪軸承	Pulley Bearing	6203Z-3
活塞油封	Piston Seal (Air pressure)	氣壓 AGP-63*53*6.5-2
	Slide Ring	AGE-63x59x6-1(耐磨環)
主軸油封	Piston Seal (Oil pressure)	液壓 AP-53-3
	Spindle Oil Seal	ADH-28x36x4.5-1
前蓋油封	Front Cover Oil Seal (Air pressure)	氣壓 ADH-50x58x5-1 AG58-1 AP50-1
	Oilless Slide Bearings	DU-50x25 -1(自潤軸承)
後蓋油封	Front Cover Oil Seal (Oil pressure)	液壓 TC-50x62x10-1 G58-2 AP50-2
	Rear Cover Oil Seal (Air pressure)	氣壓 ADH-35x43x5-1 AG58-1 AP35-1
後蓋油封	Oilless Slide Bearings	DU-35x15 -1(自潤軸承)
	Rear Cover Oil Seal (Oil pressure)	液壓 ADH-35x43x6-1 TC-35x43x8-1 AG58-2

SWD5-85-ER20-C

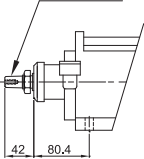


SWD5-85-ER20-A



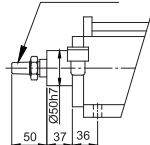
油壓

JT 6



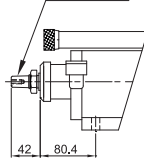
配多軸器使用

JT6

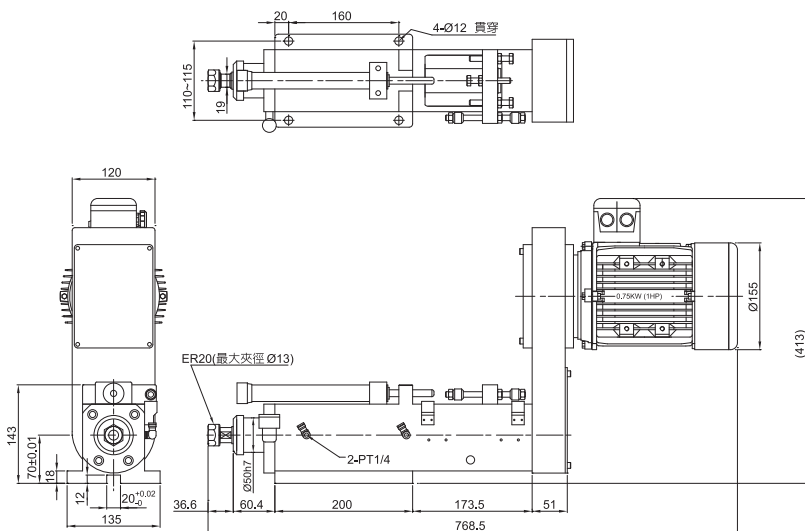


氣壓

JT 6



SWD5A-85-ER20-C



SWD5A-85-ER20-A

