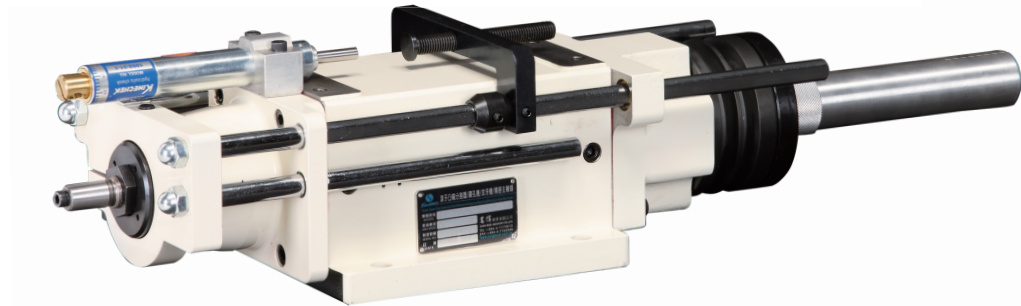
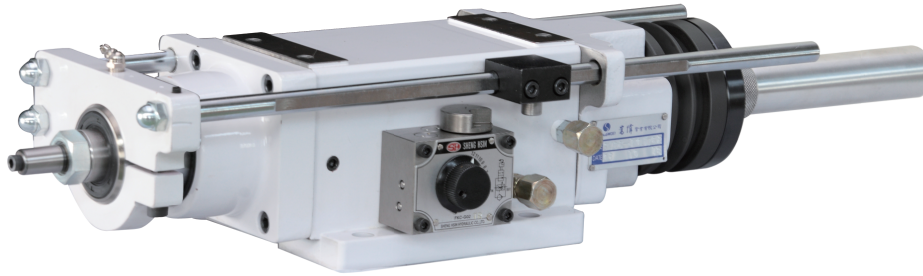


鑽孔機 >>>

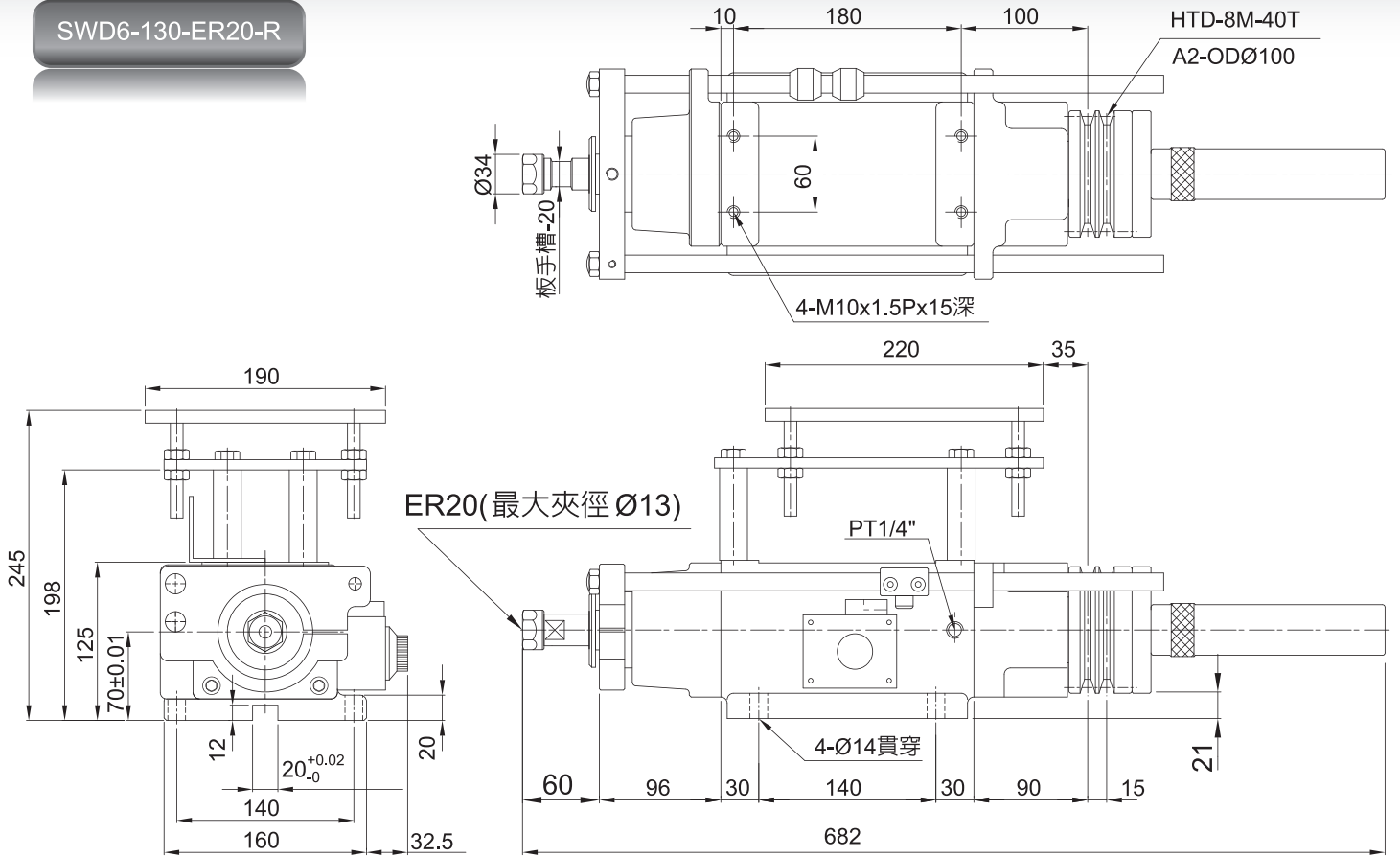


SWD6-130

鑽孔主軸頭 Drilling Spindle Units

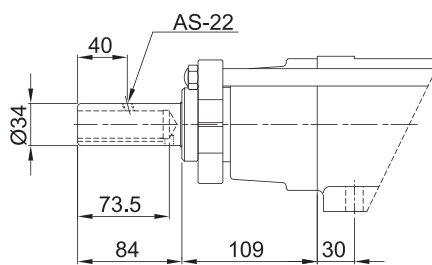
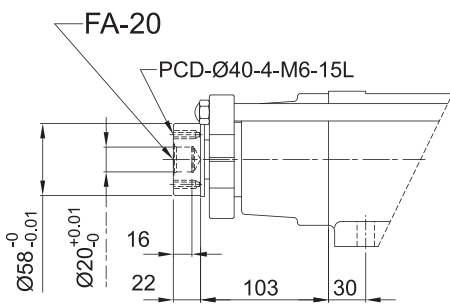
規格 Norms	Model	SWD6-130
鑽孔能力	Max. Drilling Capacity	φ16(S45C)
最大行程	Max. Stroke	130mm
容許轉速	Spindle Max. Speed	2000RPM
使用壓力	Working Pressura	氣壓(A)4~7kg/cm ² 液壓(H)20-25kg/cm ²
缸徑面積	Cylinder Diameter	進給(F)37.1cm ² 復歸(B)15.9cm ²
容許馬力	Maximum use of motor	2.2KW(3HP)
傳動規格	Transmission Wheel Type	A-2-ODφ100 HTD-8M-40T
淨重	Net Weight	50kg
耗材 Consumables		
主軸軸承	Spindle Bearing	32004-1 32005-1 6004-1 6005-1
皮帶輪軸承	Pulley Bearing	51208-1 6008-1
活塞油封	Piston Seal (Air pressure)	氣壓 AUS-65x75x6-2 G35-1
	Piston Seal (Oil pressure)	液壓 AP65-2 G35-1
主軸油封	Spindle Oil Seal	TC-32x52x11-1 P30-1
	Front Cover Oil Seal (Air pressure)	氣壓 TC-60x70x10-1 G70-1 A80-1 P60-2
前蓋油封	Front Cover Oil Seal (Oil pressure)	液壓 TC-60x70x10-1 G70-1 A80-1 P60-2
	Oiless Slide Bearings	DU-14x10 -2(自潤軸承)
後蓋油封	Rear Cover Oil Seal (Air pressure)	氣壓 G70-1 G80-1 P30-2
	Rear Cover Oil Seal (Oil pressure)	液壓 G70-1 G80-1 P30-2
	Oiless Slide Bearings	DU-14x20 -2(自潤軸承)

SWD6-130-ER20-R



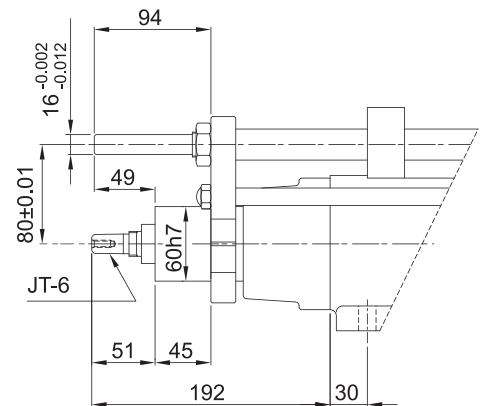
SWD6-130-FA20

SWD6-130-AS22



多軸三點支撐

SWD6-130-JT6-HP



SWD6-130-ER32

SWD6-130-MT2

